

ISLAND EXPRESS COUNTERTOP INSTALLATION

1. All countertops should be (installed) fully supported by cabinetry with the exception of seating overhangs (which should be 12" maximum).

2. Clearance Holes:

A. Drill at least (4) 1/4" diameter clearance holes - typically at the outside corners of your cabinet configuration - thru the subtop or corner cleats of the cabinets (depending on construction).

B. On longer tops add (2) intermediate holes (on the longest dimension) to the cabinets.

3. Position the Island Express countertop on the cabinetry with the appropriate overhangs. With one person holding the top in place and applying downward pressure, the other person will drive (1) screw upward thru the 1/4" clearance hole into the underside of the countertop.

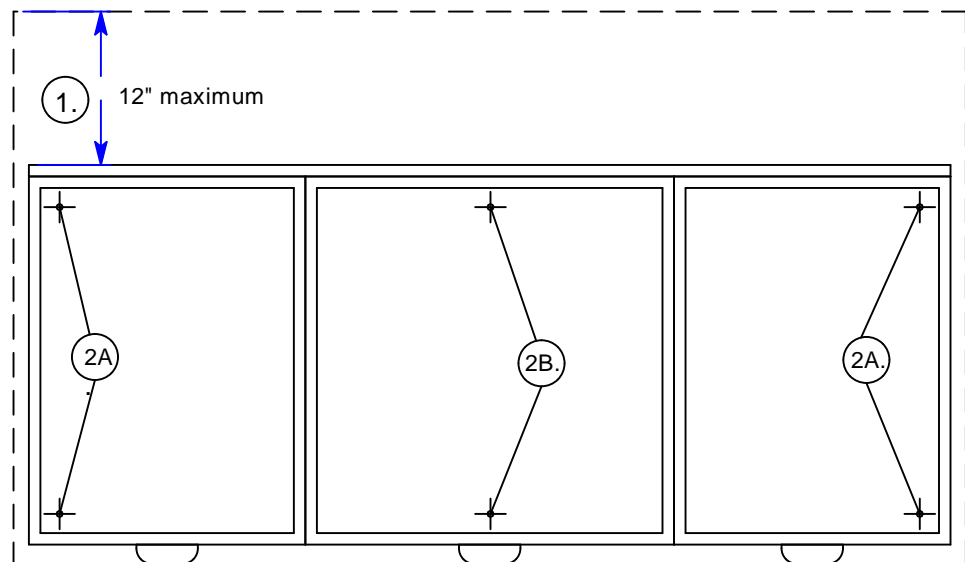
The screws should be #8 wood screws no longer than to allow a maximum of 3/4" to go into the countertop.

Drive each screw partway in - then back it out and place a cup washer (provided by RRC) under the screw head - then drive the screw all the way in - snug but not overtight. The clearance hole allows the wood top to move seasonally yet still be attached to the cabinets.

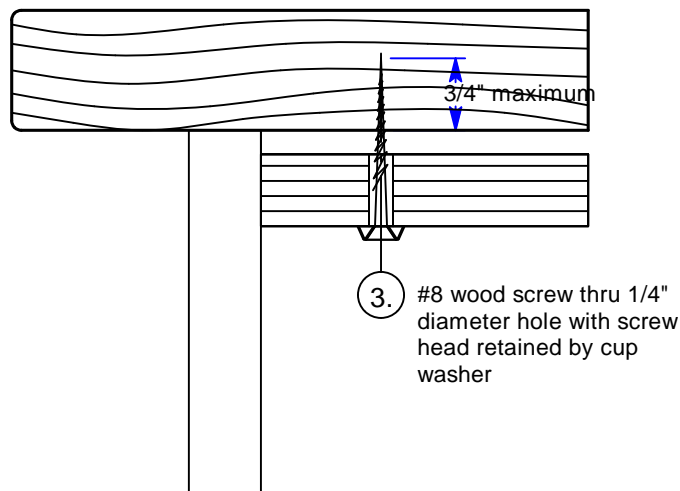
Set your screw gun on the "drive" not "drill" setting to avoid forcing the cup washer thru the clearance hole when tightening.

4. Once screws are tight your countertop is ready for use.

Note: broken line indicates countertop



CABINETRY PLAN
/ no scale



FASTENING
DETAIL / no scale